

## HOSE CUTTING MACHINE

ASC24



## *MAINTENANCE & INSTRUCTIONS MANUAL*

## A. WARRANTY AND RESPONSIBILITY

**Warranty:** It's the supplier's responsibility to guarantee the conformity of the product, assuring that it's manufactured without fault and that it meets the agreement settlements between both parts.

The warranty is valid for one year, beginning at the date of the sale document. In this warranty are included all the pieces or parts of the components that may come to need replacement. Within the warranty period the supplier is responsible for any lack of conformity found on the equipment, as long as they are reported by written, within a maximum of 8 days from the delivery of the equipment. Where it concerns to lack of conformity duly verified, the manufacturer undertakes the responsibility to, within a reasonable period of time, to repair or replace the components, or parts of these, that are proven to not be within normal standards.

The return of defective goods, must always be authorized in written by the supplier. Furthermore the goods need to be returned in it's original packaging.

During the term of this warranty, Allswage UK will proceed to the replacement or repair of equipment - according to it's option - assuming the costs that come from it. To this end, it must be informed by the customer, within the 3 days after the malfunction started. All replaced parts are property of Allswage UK.

The warranty is void when: The products have not be correctly assembled, or used for different purposes that the intended; Have not received proper maintenance, or have been modified or repaired without the authorization of the supplier. The manufacturer is not responsible for the natural consumption of the components.

**Supplier's Responsibility:** the supplier shall be the solely responsible for the proper functioning of the product and, for its characteristics and performances specifically stated by them. However, the manufacturer takes no responsibility as long as it's identified third party interference.

## B. INSTRUCTIONS MANUAL PURPOSE

This manual was developed by the technical department of Allswage UK. Its purpose is to establish guidelines, concerning the assembly, installation, maintenance and functioning of the marking machine. Guidelines that are indispensable to assure and proper functioning of the machine, maintaining the safety requirements needed. The cutting machine was designed and manufactured following the European Safety Standards Board. As long as it's used properly, it's function, adjustment and maintenance do not present any danger to the operators.

### B1. SAFETY REGULATIONS



- **DO NOT USE** the equipment without reading this manual and **UNDERSTANDING ITS CONTENTS.**



- **CAUTION!** The misuse of this equipment can cause injury. The operator shall never be in contact with the moving pieces or work within their reach.

- The cutting operations are secure as long as the below guidelines are followed.



- **CAUTION!** It's absolutely essential that the work operations are performed by one single operator.
- The owner needs to make sure that the manual is kept in an appropriate manner and that the operator understands the whole content of the manual, along with his/her responsibilities.

- Shields, protections and safety sensors should never be removed.
- Before connecting the power check if there is adequate protection on the power line and that it has an earth wire.
- Check if the power and frequency is as indicated on the motor identification label.
- Never use wires or extensions not compliant or with fault.
- Make sure the cut is always done under safe conditions. Never put your hands in the cutting motor while the engine is on and keep a distance of at least 200mm between your hands and the blade.



- Use gloves and appropriate protection gear.
  - While working, always follow the instructions shown in the machine labels.
  - Always turn the air pressure off during maintenance, this should be done by specialized personal.
- The cutting machine should only be operated by qualified adults.
  - The moving parts must be kept clean and well lubricated.
  - Original replacement parts must be used in order to maintain it's original characteristics and it's certification and warranty.
  - Keep the power line away from the work area and make sure that it doesn't make the operations difficult.
  - Our equipment is designed according to the safety technical characteristics in accordance with the EC directive.
  - The operators are advised to follow strictly the instructions supplied in this manual.

## C. TRANSPORTATION



**Transportation and work place:** Although the machine is easily located, ensure the machine is safely moved and intact.

Ensure the machine is placed on a solid, level surface.

Always work under safety conditions and with the necessary space around the machine.

**The Manufacturer is not liable for any damages caused by negligence.**



**Production waste:** The production waste is compared to solid waste and can be disposed without difficulty.

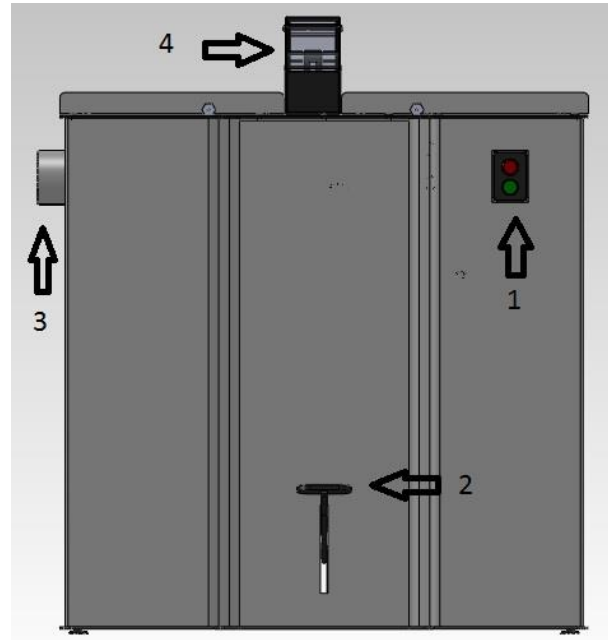
If the machine is installed in countries where there are specific rules, production waste should be disposed of according to local regulations in force.

## D. EQUIPMENT CHARACTERISTICS

TECHNICAL FILE/DIMENSIONS	ASC24 SINGLE PHASE	ASC24 THREE-PHASE
CUTTING CAPACITY	3/16>2"	3/16>2"
ENGINE POWER	3KW	3KW
RPM	2900RPM	2900RPM
BLADE	Ø250MM	Ø250MM
DIMENSIONS	1134mmX1019mmX563mm	1134mmX1019mmX563mm
VOLTAGE	220V 50-60HZ	230V -400V 50HZ
CONTROLS	ELECTRICAL	ELECTRICAL
WEIGHT	150KG	150KG
SOUND LEVEL	80dBA	80dBA
SAFETY INTERRUPTOR	INCLUDED	INCLUDED
BLADE PROTECTION	INCLUDED	INCLUDED
EXHAUST EXIT	INCLUDED	INCLUDED
ENGINE BRAKE	OPTION	OPTION



## E. MACHINE INSTRUCTIONS



Picture 1 – Command components

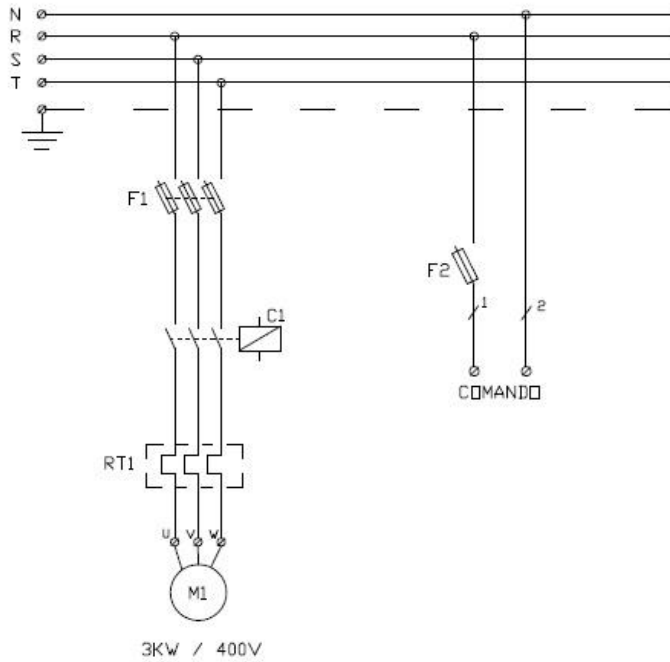
### COMMANDS:

- 1 – On Switch & Emergency Switch
- 2 – Foot Pedal
- 3 – Exhaustion of Smokes
- 4 – Acrylic Protection

### E1. MACHINE DESCRIPTION & PROTECTION SYSTEMS

This machine was designed to cut Industrial and Hydraulic hoses. The machine contains a rolling blade connected to an electric engine, to cut hoses. The blade is hidden by two metal plates, as well as an acrylic protection in order to avoid that the operator is hit by any possible steel fragments or that he/she may injure themselves on the blade.

**E2. THREE-PHASE ELECTRIC SCHEME**

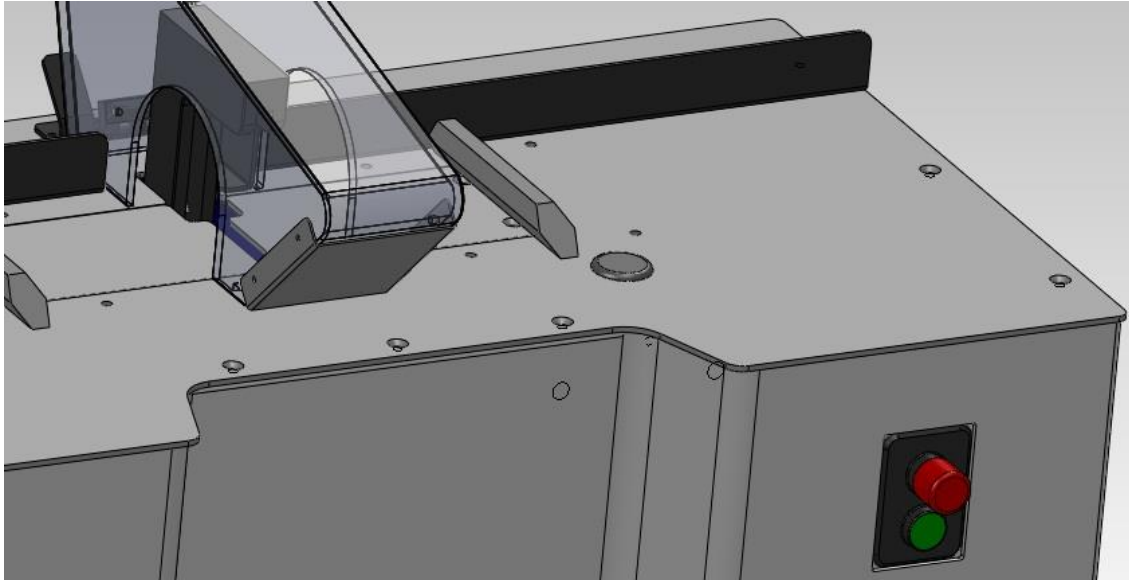


**E3. DATA RELATING TO THE ELECTRIC EQUIPMENT**

1	Engine 3KW 400V 50Hz	
1	Contactor	9AAC33P+NA+NF BOB 230VCA
1	Thermal Relay	5,5 / 8A
1	Fuse Switch 3P.	
3	10,3x38 10A Fuse	10,3x38 10A



## F. WORKING INSTRUCTIONS



*Picture 2 – Blade Adjusting*

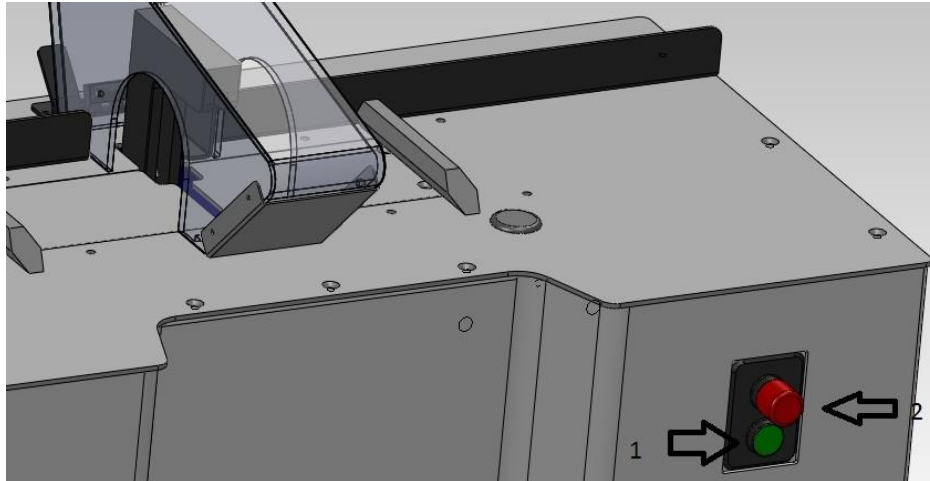
### F1. ADJUSTING & TUNING

1. Remove the plastic piece
2. Insert the key
3. Turn it to the desired direction (Right is up and left is down)

### F2. BLADE REPLACEMENT

1. Open the inspection box on the back of the machine.
2. Loosen the height adjustment screw of the blade in about 3-4 cm.
3. Loosen the locking nut of the disk.
4. Clean and lubricate completely all the parts.
5. Adjust the new or sharpened blade.
6. Tighten the height adjustment screw of the disk.
7. The blade must be 5 mm below the safety box.
8. The ***blade must be installed as shown in picture 4.***

### F3. EMERGENCY STOP



Picture 3 – Emergency switch

1 – On Switch

2 – Emergency Switch

### F4. PROHIBITED WAYS OF USING THE MACHINE

- It's strictly forbidden to use the cutting machine for other ends besides the already mentioned above.
- It's forbidden to remove any of its original protection.
- It's strictly forbidden using this equipment without reading the work instructions.
- This machine can only be operated by qualified adults, and only after they have read the work instructions.

### F5. POSSIBLE MALFUNCTIONS AND SOLUTIONS

- The engine won't turn on:
  - Check the fuse
  - Check if all the cables are correctly plugged in

## F6. INSTRUCTIONS USING PROTECTION EQUIPMENT



- ✓ Work wear
- ✓ Work gloves



Under no circumstances can the operator stop using the personal protection equipment mentioned above. Must always follow the basic safety principles in the installation and use of the tools listed.

## G. INITIAL CHECK UP

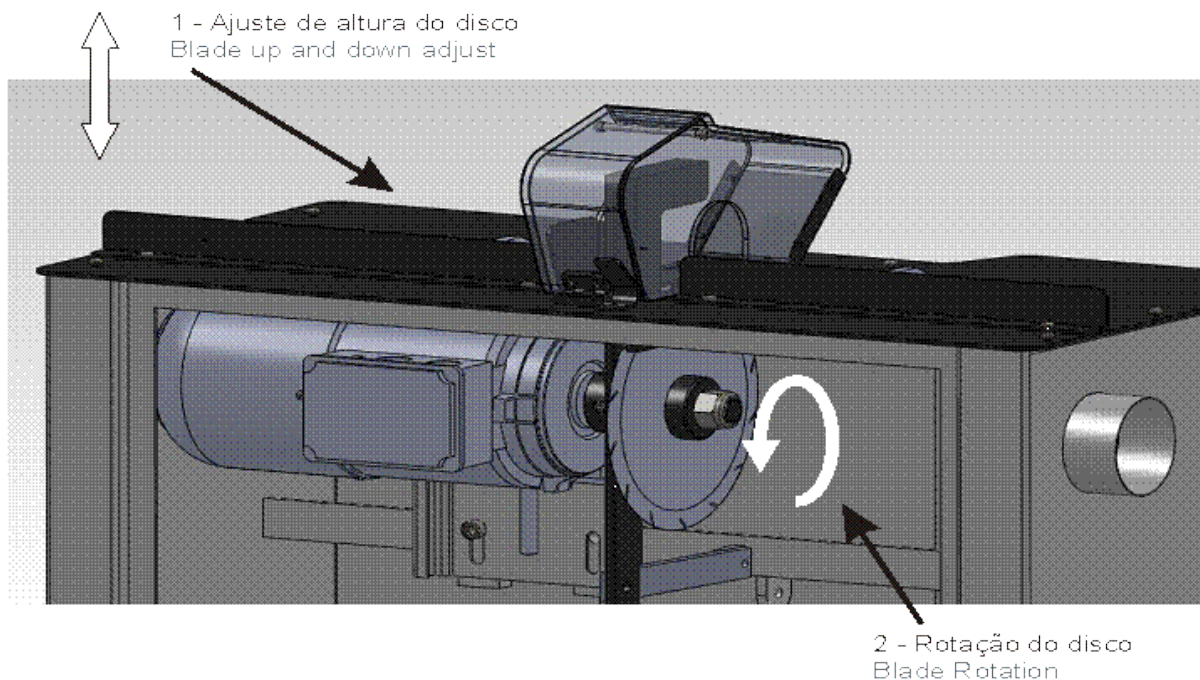
- Place the machine on top of a stable surface.
- Make sure the power cord is equipped with a differential circuit breaker for security and overload energy cut-out.



- It is mandatory to connect to earth according to the methods required by safety standards of electrical installations. The manufacturer disclaims any responsibility for any damage to persons or property due to the lack of connection or faulty connection of the earth line.
  - It's mandatory to plug the machine to the power supply.
  - Never connect the machine directly to the electrical framework.
  - The plug to be connected to the power cord and electrical socket should be the same type and comply with the regulations. Verify that the values of voltage and network frequency match those mentioned in the identification label. Avoid the use of adapters or derivations.
- Never pull the plug by pulling the power cord.

- After the installation the plug must be accessible. In the case of damage to the power cord, it must be replaced by a qualified electrician. After replacing the power cord, make sure that the docking cradle cable is fixed properly.
- Make sure that the moving parts are clean and lightly lubricated.
- The motor does not work when the emergency switch is activated:
- Make sure the wall switch corresponds to the poles of the machine.
- Check if the wall switch fuse is blown.
- Never remove the machine protections.

#### G1. ROTATION DIRECTION



Picture 4 – Rotation Direction

## H. LIGHTING



The equipment does not have its own lighting and so it should be used in areas properly illuminated.

If the visibility at the site is not adequate, you should use artificial lighting equipment.

## I. MAINTENANCE INSTRUCTIONS



In order to ensure the correct operation of the cutting machine, as well as its long life, it's essential to carry out a series of maintenance activities. Where such activities are not made, the manufacturer is not liable for any damage caused by the machine on their direct or indirect users.

### I1. The indicated activities must be performed by qualified personnel.

*The following essential maintenance activities are therefore to take place every three months:*

- ✓ Check the tightness of all screws used;
- ✓ Ensure the machine is on a level surface making the necessary adjustments;
- ✓ Clean inside the machine and around the motor and electrical boxes using compressed air (less than 2 bar) and not products that can cause adverse reactions to materials of the machine; (You must use facial protection mask, safety goggles, gloves and work clothes).

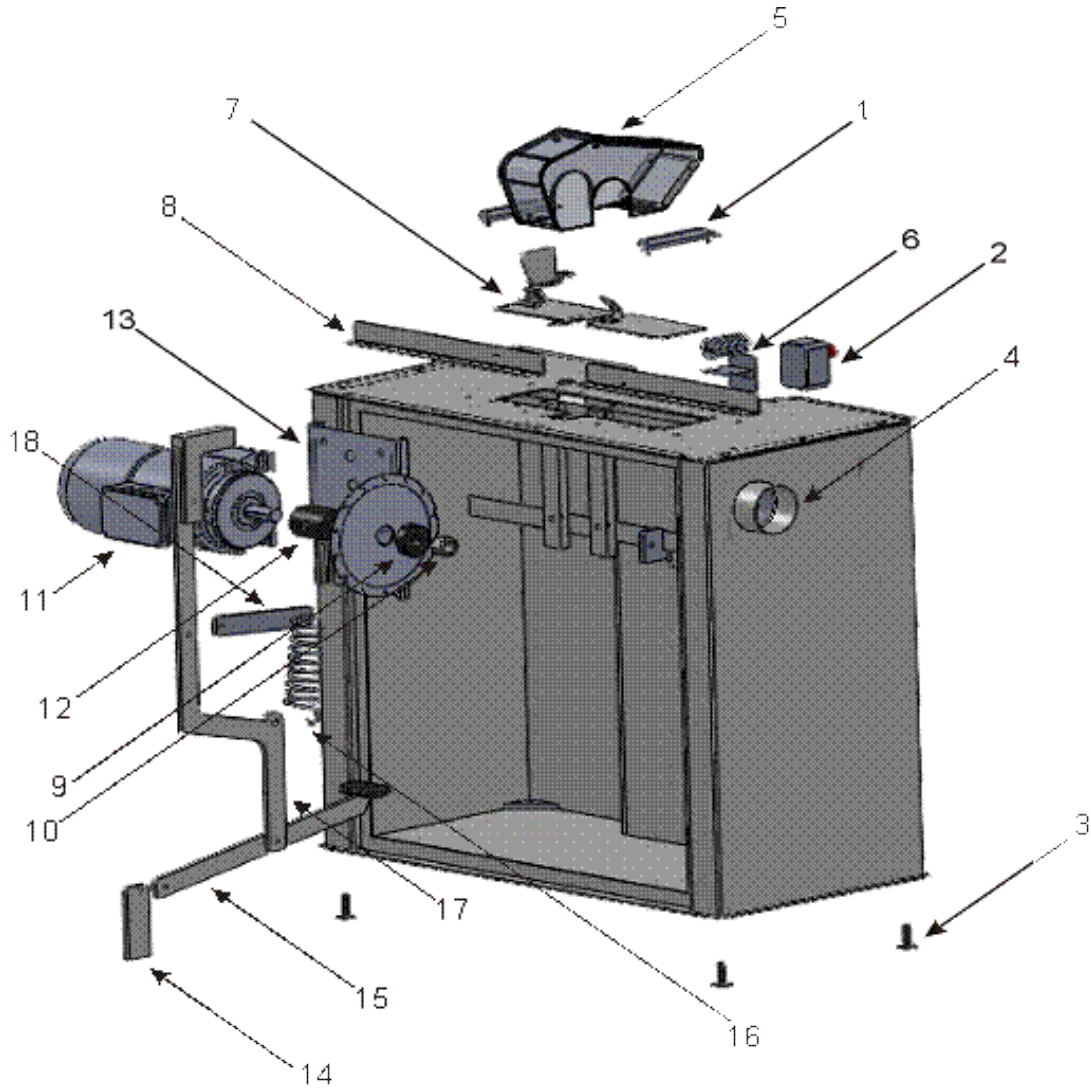
- ✓ Lubricate the joints and moving parts;
- ✓ Check the components of the cutting machine and replace those that are damaged (contact the manufacturer).
- ✓ Check the tension of the springs and their lubrication;
- ✓ Check the circuit and electric components;
- ✓ Check the wear of the cutting blade.

## **12. MAINTENENACE ROUTINE**

- ✓ Make sure that the moving parts are always lightly lubricated.
- ✓ Periodically check the wear of the cutting blade.
- ✓ Check the spring tension.
- ✓ Ensure the machine is on a level surface.



**J. REPLACEMENT PARTS**



*Picture 5 – Replacement Parts*



**Components:**

- 1 - Cut support
- 2 - Electric command ON and mixer security OFF
- 3 - Adjustable base support
- 4 - Exhaustion exit
- 5 - Protection
- 6 - Electric command support.
- 7 – Blade protection plates
- 8 - Hose guide Channel
- 9 – Blade stopper part 1
- 10 – Blade locking nut
- 11 - Engine
- 12 - Blade locking stopper part 2
- 13 - Oscillating engine support
- 14 - Foot pedal base support
- 15 - Foot Pedal
- 16 - Spring
- 17 - Foot pedal articulation

## K. MANUFACTURER'S RECOMMENDATIONS

The cutting machines were developed based on principles that ensure no risks to all the users of these machines as long as its correct use is followed by respecting its safety rules. The lack of knowledge or failure of following these standards may put users and others in dangerous situations. It is therefore crucial to understand and respect the rules of use, as well as performing the maintenance tasks required to ensure the correct functioning of the machines and to safeguard the security of the users.

Before using, the operators must be informed about its correct use. It is mandatory to carefully read the instructions supplied with the equipment, as well as to learn about its characteristics by ensuring that:

- ✓ The machine will be exclusively installed by qualified and specialized personnel.
- ✓ The installation of the machine will always be performed on a smooth and stable workbench.
- ✓ The machine is properly installed.
- ✓ Understand the work method as well as technical limitations.
- ✓ Under no circumstances, proceed to modify the structure and components of the equipment without authorization from the Manufacturer.
- ✓ Know and respect the available signs on the machine
- ✓ Do not perform any tasks for which the machine was not designed.